

# 821C/XR

## Articulated Wheel Loader



### ENGINE

Model ..... Case 6TAA-8304,  
Tier II Certified

Type ..... 4-stroke, turbocharged  
and air-to-air cooled

Cylinders ..... 6

Bore/Stroke ..... 4.48" x 5.32"  
(114 x 135 mm)

Displacement ..... 504 in<sup>3</sup> (8.3 L)

Fuel injection ..... Direct

Fuel ..... #2 Diesel

Fuel filter ..... Replaceable, full flow  
spin-on cartridge

Fuel cooler

Air filter ..... Dry type element  
w/warning restriction indicator

Radiator

Core type ..... In-line 6.5 fin/in.

Core size area ..... 7.9 ft<sup>2</sup> (0.73 m<sup>2</sup>)

Row of tubes ..... 4

Fan – Hydraulic drive

Style ..... 8 blade puller

Diameter ..... 30" (782 mm)

Water pump ..... Integral

Engine oil

Pump ..... Deep sump plate cooler  
with pressurized under-  
piston nozzles

Side-to-side ..... 45°

Fore and aft ..... 45°

Oil filtration ..... Replaceable,  
full flow, spin-on cartridge

Engine speeds (rpm)

Rated speed, full load ..... 2200

Low idle ..... 850-900

High idle, no load ..... 2350-2430

Horsepower – Peak

Gross ..... 204 (152 kW) @ 2000 rpm

Net ..... 186 (139 kW) @ 2000 rpm

Peak torque @ 1400 rpm

Gross ..... 697 lb ft (948 N-m)

Net ..... 671 lb ft (913 N-m)

Torque rise ..... 51%

NOTE: Gross horsepower and torque per SAE  
J1995. Net horsepower and torque per  
SAE J1349.

### DRIVETRAIN

Transmission ..... 4F/3R Proportional  
w/Electronic Control Module  
torque sensing autoshift/manual  
shift and modulation

Gears ..... Helical cut

Gear ratios	Forward	Reverse
1st	3.754	3.551
2nd	2.089	1.981
3rd	1.072	1.017
4th	0.666	NA

Torque converter

Stall ratio ..... 2.79:1

Differential ..... Limited slip  
w/45% transfer on front  
and rear axles

Rear axle oscillation ..... 24° total

Front and rear axle

Differential ratio ..... 4.11

Planetary ratio ..... 6.00

Final axle ratio ..... 24.67

Planetaries ..... Outboard

Service brakes ..... Hydraulically  
actuated, maintenance-free,  
multiple wet disc w/accumulator  
to all four wheels

Brake surface area ..... 415 in<sup>2</sup> per hub  
(0.27 m<sup>2</sup>)

Parking brakes ..... Spring-applied  
hydraulic release disc on  
transmission output shaft

Travel speeds – mph (km/h)  
w/23.5-25 L3 Tires

	Forward	Reverse
1st	4.9 (7.9)	5.1 (8.2)
2nd	8.6 (13.8)	9.0 (14.5)
3rd	15.8 (25.4)	16.6 (26.7)
4th	23.5 (37.8)	NA

NOTE: Travel speeds at full engine throttle.

### ELECTRICAL

Voltage ..... 24 Volts, negative ground

Alternator ..... 65 amp

Batteries ..... (2) 700 CCA

Optional batteries ..... (2) 900 CCA

### HYDRAULICS

Pump ..... Dual, vane-type tandem  
Loader/steering section

Section displacement ..... 5.4 in<sup>3</sup>/rev  
47.8 gpm @ 2200 rpm @ 2810 psi  
(181 L/min @ 2200 rpm @ 194 bar)

Loader section

Section displacement ..... 3.45 in<sup>3</sup>/rev  
30.9 gpm @ 2200 rpm @ 2200 psi  
(117 L/min @ 2200 rpm @ 152 bar)

Loader control valve ..... Open-center,  
sectional 2-, 3- or 4-spool with  
pilot control for lift, tilt  
and auxiliary hydraulics,  
electromagnetic detents in  
float, raise and rollback

Loader auxiliary hydraulics

28.6 to 78.7 gpm  
(108 to 298 L/min)

Steering ..... Hydraulic center-pivot  
articulating w/on-demand oil flow

Flow ..... 47.8 gpm @ 2200 rpm  
@ 2810 psi  
(181 L/min @ 2200 rpm @ 194 bar)

Main relief pressure ..... 2810 psi  
(194 bar)

Filtration ..... 10-micron,  
full flow replaceable cartridges  
on return line, condition indicator  
light for filter

Oil cooler ..... Return line

### CYLINDERS

Lift cylinder

Bore diameter ..... 6.0" (152 mm)

Rod diameter ..... 3.5" (89 mm)

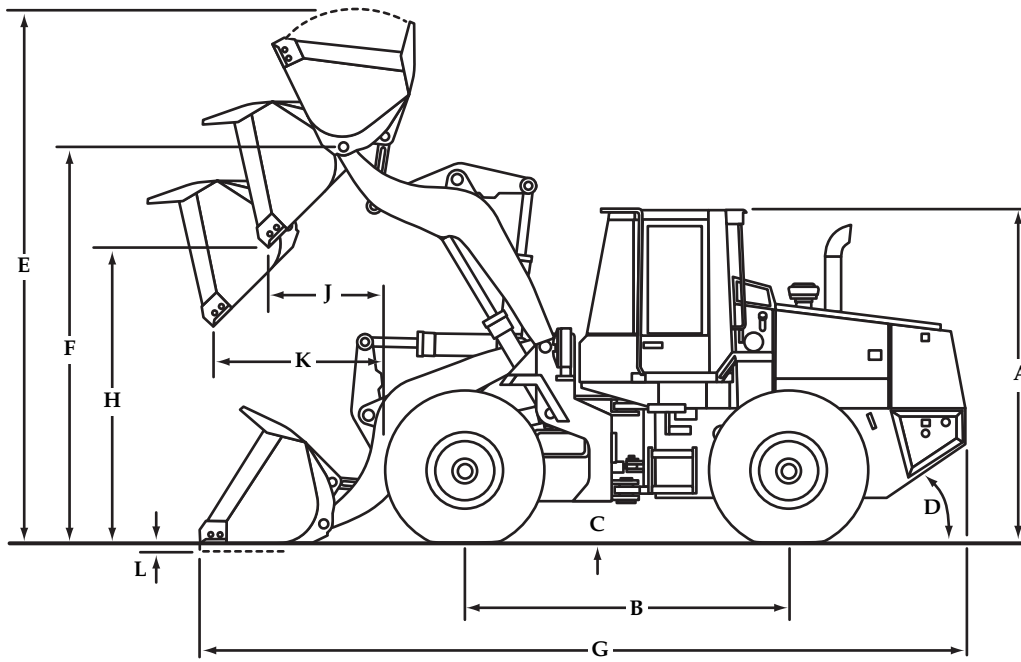
Stroke ..... 31.75" (806 mm)

Dump cylinder

Bore diameter ..... 7.0" (178 mm)

Rod diameter ..... 3.5" (89 mm)

Stroke ..... 22.78" (579 mm)



## DIMENSIONS

Height to –	
A. Top of ROPS cab .....	131.1" (3.33 m)
Top of steering wheel.....	103.0" (2.62 m)
Drawbar .....	42.8" (1.09 m)
Pintle hitch.....	44.8" (1.14 m)
B. Wheelbase.....	125.8" (3.2 m)
C. Ground clearance.....	15.8" (401 mm)
D. Angle of departure.....	34°
Width –	
Overall* w/o bucket .....	106.4" (2.7 m)
Centerline tread .....	82" (2.05 m)
Turning radius* – outside.....	226.5" (5.75 m)
Turning angle –	
From center .....	40°
Total angle .....	80°
Rear axle oscillation, total.....	24°

NOTE: \*Dimensions taken with 23.5-25 12PR L2 tires. Additional dimensions on pages 3 and 4.

## WEIGHT ADJUSTMENTS

Select Options	Weight Adjustment	Tipping Load Adjustment	
		Straight	40° Turn
Rated weight to adjust (see note ** below) .....	37,901 lb (17 192 kg)...	29,414 lb (13 342 kg)...	23,571 lb (10 692 kg)
ROPS canopy.....	-295 lb (-134 kg).....	-226 lb (-103 kg).....	-197 lb (-89 kg)
Heavy-duty batteries.....	+120 (+54 kg) .....	+236 lb (+107 kg) .....	+184 lb (+84 kg)
23.5-25 12PR L3 tires.....	+380 lb (+172 kg) .....	+527 lb (+239 kg) .....	+485 lb (+220 kg)
23.5-R25 XTLA tires.....	+636 lb (+288 kg) .....	+822 lb (+373 kg) .....	+844 lb (+383 kg)
23.5-R25 XHA tires.....	+860 lb (+390 kg) ....	+1,306 lb (+592 kg) ....	+1,312 lb (+595 kg)

NOTE: \*\*Unit equipped with Z-Bar loader arms, 3.5 yd<sup>3</sup> (2.68 m<sup>3</sup>) general purpose pin on bucket w/bolt-on edge, 23.5-25 12PR L2 tires, ROPS cab with heater, standard counterweight, standard batteries, front and rear fenders, full fuel and 175 lb (79 kg) operator. Adjust select options from rated weight.

# PERFORMANCE DATA

821C Z-Bar	3.5 yd <sup>3</sup> (2.68 m <sup>3</sup> ) Bucket Only	3.5 yd <sup>3</sup> (2.68 m <sup>3</sup> ) Bucket w/Bolt-on Edge	3.5 yd <sup>3</sup> (2.68 m <sup>3</sup> ) Bucket w/Teeth
SAE bucket capacity – struck.....	3.03 yd <sup>3</sup> (2.32 m <sup>3</sup> )	3.17 yd <sup>3</sup> (2.42 m <sup>3</sup> )	3.03 yd <sup>3</sup> (2.32 m <sup>3</sup> )
Heaped.....	3.5 yd <sup>3</sup> (2.68 m <sup>3</sup> )	3.67 yd <sup>3</sup> (2.81m <sup>3</sup> )	3.5 yd <sup>3</sup> (3.68 m <sup>3</sup> )
Bucket width – outside.....	109" (2.77 m)	109" (2.77 m)	110.3" (2.8 m)
Inside.....	105" (2.67 m)	105" (2.67 m)	105" (2.67 m)
Bucket weight.....	2,750 lb (1247 kg)	3,279 lb (1487 kg)	3,068 lb (1392 kg)
E. Operating height – fully raised w/spillguard .....	210.6" (5.35 m)	210.5" (5.34 m)	210.6" (5.35 m)
F. Hinge pin height – fully raised .....	155.6" (3.95 m)	155.6" (3.95 m)	155.6" (3.95 m)
G. Overall length – bucket level on ground.....	294.1" (7.47 m)	298.1" (7.57 m)	304.3" (7.73 m)
Dump angle – fully raised .....	50°	50°	50°
H. Dump height – fully raised, 45° dump .....	117" (2.97 m)	114" (2.9m)	109.7" (2.79 m)
J. Bucket reach – fully raised, 45° dump .....	43.6" (1.11 m)	44.7" (1.14 m)	49.0" (1.24 m)
K. Bucket reach – 7'0" (2.13 m) height, 45° dump .....	66.3" (1.68 m)	66" (1.68 m)	68.1" (1.73 m)
Operating load – SAE.....	12,117 lb (5496 kg)	11,786 lb (5346 kg)	11,909 lb (5402 kg)
Maximum material density – SAE.....	3,462 lb/yd <sup>3</sup> (2054 kg/m <sup>3</sup> )	3,211 lb/yd <sup>3</sup> (1905 kg/m <sup>3</sup> )	3,403 lb/yd <sup>3</sup> (2019 kg/m <sup>3</sup> )
Tipping load – SAE			
Straight .....	30,083 lb (13 645 kg)	29,414 lb (13 342 kg)	29,664 lb (13 455 kg)
40° turn.....	24,234 lb (10 992 kg)	23,571 lb (10 692 kg)	23,818 lb (10 804 kg)
Lift capacity –			
Full height.....	16,792 lb (7617 kg)	16,260 lb (7375 kg)	16,472 lb (7472 kg)
Maximum reach .....	26,256 lb (11 909 kg)	25,705 lb (11 660 kg)	25,923 lb (11 759 kg)
Ground .....	36,142 lb (16 391 kg)	35,543 lb (16 119 kg)	35,781 lb (16 227 kg)
Breakout force w/tilt cylinder.....	36,391 lb (16 504 kg)	33,667 lb (15 268 kg)	36,018 lb (16 334 kg)
Maximum rollback –			
Ground .....	40°	40°	40°
Carry position.....	45°	45°	45°
@ Maximum reach .....	58°	58°	58°
@ Full height.....	63°	63°	63°
Dig depth .....	3.1" (79 mm)	4.4" (112 mm)	4.4" (112 mm)
L. Maximum grading angle w/bucket – back dragging .....	61°	61°	62°
Loader clearance circle .....	494.9" (12.57 m)	497.3" (12.63 m)	502.0" (12.75 m)
<b>821C XR</b>			
E. Operating height – fully raised w/spillguard .....	222.7" (5.66 m)	222.7" (5.66 m)	222.7" (5.66 m)
F. Hinge pin height – fully raised .....	167.7" (4.26 m)	167.7" (4.26 m)	167.7" (4.26 m)
G. Overall length – bucket level on ground.....	317" (8.05 m)	320.7" (8.15 m)	326.9" (8.3 m)
Dump angle – fully raised .....	51°	51°	51°
H. Dump height – fully raised, 45° dump .....	129.1" (3.28 m)	126.2" (3.21 m)	121.8" (3.09 m)
J. Bucket reach – fully raised, 45° dump .....	57.4" (1.46 m)	58.5" (1.49 m)	62.9" (1.6 m)
K. Bucket reach – 7'0" (2.13 m) height, 45° dump .....	86.1" (2.19 m)	86.1" (2.19 m)	88.6" (2.25 m)
Operating load – SAE.....	9,163 lb (4156 kg)	8,849 lb (4014 kg)	8,966 lb (4067 kg)
Maximum material density – SAE.....	2,618 lb/yd <sup>3</sup> (1553 kg/m <sup>3</sup> )	2,411 lb/yd <sup>3</sup> (1431 kg/m <sup>3</sup> )	2,562 lb/yd <sup>3</sup> (1520 kg/m <sup>3</sup> )
Tipping load – SAE			
Straight .....	22,749 lb (10 319 kg)	22,116 lb (10 032 kg)	22,351 lb (10 138 kg)
40° turn.....	18,327 lb (8313 kg)	17,699 lb (8028 kg)	17,931 lb (8133 kg)
Lift capacity –			
Full height.....	13,652 lb (6192 kg)	13,128 lb (5955 kg)	13,338 lb (6050 kg)
Maximum reach .....	21,759 lb (9868 kg)	21,223 lb (9627 kg)	21,436 lb (9723 kg)
Ground .....	29,905 lb (13 562 kg)	29,216 lb (13 250 kg)	29,439 lb (13 351 kg)
Breakout force w/tilt cylinder.....	30,303 lb (13 745 kg)	28,081 lb (12 737 kg)	30,066 lb (13 638 kg)
Loader clearance circle .....	518.1" (13.16 m)	521.0" (13.23 m)	526.7" (13.38 m)

NOTE: Performance data unit equipped with 26.5-25 20PR L3 tires, ROPS cab w/heater and A/C, standard counterweight, standard batteries, front and rear fenders.

<b>4.0 yd<sup>3</sup> (3.06 m<sup>3</sup>) Bucket Only</b>	<b>4.0 yd<sup>3</sup> (3.06 m<sup>3</sup>) Bucket w/Bolt-on Edge</b>	<b>4.0 yd<sup>3</sup> (3.06 m<sup>3</sup>) Bucket w/Teeth</b>	<b>3.0 yd<sup>3</sup> (2.3 m<sup>3</sup>) 4 IN 1®/Bucket Only</b>
3.41 yd <sup>3</sup> (2.61 m <sup>3</sup> )	3.57 yd <sup>3</sup> (2.73 m <sup>3</sup> )	3.41 yd <sup>3</sup> (2.61 m <sup>3</sup> )	2.52 yd <sup>3</sup> (1.93 m <sup>3</sup> )
3.92 yd <sup>3</sup> (3.0 m <sup>3</sup> )	4.11 yd <sup>3</sup> (3.14 m <sup>3</sup> )	3.92 yd <sup>3</sup> (3.0 m <sup>3</sup> )	3.04 yd <sup>3</sup> (2.32 m <sup>3</sup> )
109" (2.77 m)	109" (2.77 m)	110.3" (2.8 m)	109" (2.77 m)
105" (2.67 m)	105" (2.67 m)	105" (2.67 m)	105" (2.67 m)
3,000 lb (1361 kg)	3,529 lb (1601 kg)	3,318 lb (1505 kg)	4,396 lb (1994 kg)
212.6" (5.4 m)	212.6" (5.4 m)	212.6" (5.4 m)	207.3" (5.27 m)
155.6" (3.95 m)	155.6" (3.95 m)	155.6" (3.95 m)	155.6" (3.95 m)
298.6" (7.58 m)	302.5" (7.68 m)	308.7" (7.84 m)	292.6" (7.43 m)
50°	50°	50°	50°
113.9" (2.89 m)	110.9" (2.82 m)	106.5" (2.71 m)	117.5" (2.98 m)
46.7" (1.19 m)	47.9" (1.22 m)	52.2" (1.33 m)	37.4" (0.95 m)
67.9" (1.72 m)	67.6" (1.71 m)	69.5" (1.77 m)	60.3" (1.53 m)
11,972 lb (5430 kg)	11,635 lb (5278 kg)	11,760 lb (5334 kg)	11,010 lb (4994 kg)
3,054 lb/yd <sup>3</sup> (1812 kg/m <sup>3</sup> )	2,833 lb/yd <sup>3</sup> (1681 kg/m <sup>3</sup> )	3,000 lb/yd <sup>3</sup> (1780 kg/m <sup>3</sup> )	3,628 lb/yd <sup>3</sup> (2152 kg/m <sup>3</sup> )
29,794 lb (13 514 kg)	29,113 lb (13 205 kg)	29,366 lb (13 320 kg)	27,671 lb (12 551 kg)
23,944 lb (10 861 kg)	23,269 lb (10 555 kg)	23,519 lb (10 668 kg)	22,020 lb (9988 kg)
16,542 lb (7503 kg)	16,009 lb (7262 kg)	16,221 lb (7358 kg)	15,134 lb (6865 kg)
26,000 lb (11 793 kg)	25,448 lb (11 543 kg)	25,666 lb (11 642 kg)	24,506 lb (11 116 kg)
35,864 lb (16 265 kg)	35,251 lb (15 987 kg)	35,459 lb (16 084 kg)	33,783 lb (15 321 kg)
32,795 lb (14 873 kg)	30,476 lb (13 821 kg)	32,415 lb (14 703 kg)	40,047 lb (18 162 kg)
40°	40°	40°	42°
45°	45°	45°	45°
58°	58°	58°	58°
63°	63°	63°	63°
3.1" (79 mm)	4.4" (112 mm)	4.4" (112 mm)	7.2" (183 mm)
61°	61°	62°	61°
497.4" (12.63 m)	499.8" (12.69 m)	504.7" (12.82 m)	494.5" (12.56 m)
224.8" (5.71 m)	224.7" (5.7 m)	224.7" (5.7 m)	219.4" (5.57 m)
167.7" (4.26 m)	167.7" (4.26 m)	167.7" (4.26 m)	167.6" (4.26 m)
321.5" (8.17 m)	325.2" (8.26 m)	331.4" (8.42 m)	314.8" (8.0 m)
51°	51°	51°	51°
126" (3.2 m)	123" (3.12 m)	118.6" (3.01 m)	129.6" (3.29 m)
60.5" (1.54 m)	61.7" (1.57 m)	66" (1.68 m)	51.2" (1.3 m)
88" (2.24 m)	87.9" (2.23 m)	90.2" (2.29 m)	80.1" (2.03 m)
9,020 lb (4091 kg)	8,700 lb (3946 kg)	8,818 lb (4000 kg)	8,190 lb (3715 kg)
2,301 lb/yd <sup>3</sup> (1365 kg/m <sup>3</sup> )	2,118 lb/yd <sup>3</sup> (1257 kg/m <sup>3</sup> )	2,250 lb/yd <sup>3</sup> (1335 kg/m <sup>3</sup> )	2,699 lb/yd <sup>3</sup> (1601 kg/m <sup>3</sup> )
22,463 lb (10 189 kg)	21,818 lb (9897 kg)	22,056 lb (10 004 kg)	20,683 lb (9382 kg)
18,041 lb (8183 kg)	17,400 lb (7893 kg)	17,636 lb (8000 kg)	16,381 lb (7430 kg)
13,404 lb (6080 kg)	12,880 lb (5842 kg)	13,090 lb (5938 kg)	12,014 lb (5450 kg)
21,506 lb (9755 kg)	20,970 lb (9512 kg)	21,183 lb (9608 kg)	20,087 lb (9110 kg)
29,649 lb (13 446 kg)	28,953 lb (13 130 kg)	29,149 lb (13 222 kg)	27,564 lb (12 501 kg)
27,269 lb (12 367 kg)	25,377 lb (11 509 kg)	27,015 lb (12 254 kg)	33,733 lb (15 301 kg)
521.3" (13.24 m)	524.3" (13.32 m)	530.0" (13.46 m)	517.3" (13.14 m)

ers, full fuel and 175 lb (79 kg) operator. Specifications per SAE J732, J1234, J695, J742 and J818.

## **INSTRUMENTATION**

Electronic Information Center  
Displays/Gauges –  
Speedometer  
Tachometer  
Direction selected F/N/R  
Transmission modes –  
Auto shift/Manual shift  
Gear selected  
Gear position  
Turn signal indicator  
Engine coolant temperature  
Engine oil pressure  
Fuel level  
Transmission oil temperature  
Hydraulic oil temperature  
Voltmeter  
Hourmeter  
Indicator lights –  
Beacon\*  
Work lights  
Loader control lockout  
Low coolant  
Brake pressure  
Master indicator  
Auxiliary steering\*  
Parking brake  
Air conditioning\*  
Hydraulic oil filter  
Transmission filter  
Air filter  
Audible alarms –  
Caution alarm  
Critical alarm  
Backup alarm  
Horn

NOTE: \*If equipped with option.

## **OPERATOR ENVIRONMENT**

ROPS canopy  
Key start  
Articulated power steering  
w/tilt column  
Fully adjustable, vinyl  
suspension seat  
Foot throttle  
2-lever loader control w/wrist rest  
Cup holder  
Coat hook  
(2) Interior rearview mirrors  
2" (51 mm) retractable seat belt  
Storage tray behind seat  
Lunch box retainer strap  
Dual brake pedals

## **LOADER**

Z-bar loader linkage  
2-lever control for lift and tilt  
Positive hold float  
Automatic return-to-dig  
Automatic height control  
Automatic return-to-travel  
Brake pedal transmission disconnect  
Bucket position indicator

## **CYCLE TIME**

Raise w/rated bucket load..... 5.9 sec  
Dump w/rated bucket load..... 1.6 sec  
Lower (empty)  
Power down ..... 4.3 sec  
Float down ..... 3.8 sec

## **SERVICE CAPACITIES**

Fuel tank..... 70.8 gal (268 L)  
Hydraulic system  
Total ..... 46.0 gal (174 L)  
Reservoir ..... 23.8 gal (90 L)  
Transmission  
Service w/filter ..... 3.25 gal (12 L)  
Front and rear axle  
Differential  
Front ..... 22 qt (21 L)  
Rear ..... 16 qt (15 L)  
Planetaries  
Front ..... 6.5 qt (6 L)  
Rear ..... 6 qt (5.7 L)  
Total axle  
Front ..... 35 qt (33 L)  
Rear ..... 28 qt (26.5 L)  
Engine oil w/filter ..... 22 qt (21 L)  
Cooling system ..... 8.5 gal (32 L)

## **OPERATING WEIGHTS**

### **Z-Bar**

Unit equipped with ROPS  
cab with heater and A/C, standard  
counterweight, 23.5-25 12PR L2 tires,  
wide front and rear fenders, 3.5 yd<sup>3</sup>  
(2.68 m<sup>3</sup>) general purpose loader  
bucket, full fuel, 175 lb (79 kg)  
operator ..... 37,901 lb (17 192 kg)

### **XR**

Unit equipped with ROPS  
cab with heater and A/C, standard  
counterweight, 23.5-25 12PR L2 tires,  
wide front and rear fenders, 3.5 yd<sup>3</sup>  
(2.68 m<sup>3</sup>) general purpose loader  
bucket, full fuel, 175 lb (79 kg)  
operator ..... 38,304 lb (17 374 kg)

# STANDARD EQUIPMENT

## OPERATOR'S ENVIRONMENT

See page 5

## ENGINE

Case 6TAA-8304 diesel  
Turbocharger  
Fuel filter w/water trap  
Air intake pre-cleaner  
Dual element air cleaner  
65 amp alternator  
(2) 700 CCA 12-volt batteries  
Liquid-cooled radiator  
Non spark-arresting muffler

## LOADER

See page 5

## DRIVETRAIN

4-wheel drive  
4F/3R Selectable autoshift/manual shift transmission  
Electronic Control Module – Programmable, computer controlled proportional shifting with programmable gear selection  
Onboard diagnostics  
Single lever electronic shift control  
F/N/R shuttle switch  
Downshift button  
Torque converter  
Outboard planetary axles  
Limited-slip differentials  
Transmission oil cooler  
Brake pedal transmission disconnect  
Hydraulic wet disc brakes  
Electric parking brake  
Limp-Home Mode  
Fully pressurized lubrication

## HYDRAULICS

2-spool loader control valve  
Full-flow oil cooler  
Flow-amplified, wide-angle steering  
(7) Diagnostic quick couplers

## OTHER

Front and rear fenders  
Lights –  
2 Front headlights  
2 Front flood  
2 Front working  
2 Rear tail and stop  
2 Rear flood  
Front and rear turn signal/flash  
Standard counterweight  
Articulation locking bar

# OPTIONAL EQUIPMENT

## OPERATOR'S COMPARTMENT

Cab with –  
Pressurized, air filtering  
Anti-glare window strip and visor  
Defroster  
Cloth-covered mechanical suspension seat  
(2) interior rear-view mirrors  
Side windows, partial/fully opening  
Dome light  
Wipers, rear and intermittent front  
Windshield washers, front and rear  
Rubber floor mat  
Cloth-covered air-suspension seat  
3" (76 mm) retractable seat belt  
Cab heater  
Cab air-conditioning w/heater  
Radio or radio/cassette  
Radio-ready (12 or 24-volt)  
Auxiliary power (12-volt)  
Lighter (24-volt)  
West Coast mirrors  
Rotating beacon

## ENGINE

Cold weather ether starting aids  
Spark arresting muffler  
Engine block heater

## LOADER

Hydraulic attachment coupler  
Attachment auxiliary hydraulics  
Loader controls –  
2-spool, 1-lever  
3-spool, 2-lever  
3-spool, 3-lever  
4-spool, 2-lever  
Lever conversion kits–  
To 1-, 2- or 3-lever  
Buckets (see page 3 & 4)

## HYDRAULICS

Auxiliary hydraulics  
Ride Control  
Auxiliary steering  
3- or 4-spool loader valves with  
2- or 3-lever loader control

## TIRES

23.5-25 12PR L2 bias (dirt/traction)  
23.5-25 12PR L3 bias (rock)  
23.5-R25 XTLA radial (dirt/traction)  
23.5-R25 XHA radial (rock)

## OTHER

Heavy-duty batteries  
Special paint  
Tie down brackets  
Drawbar or pintle-type hitch

## CASE CONSTRUCTION EQUIPMENT CONTACT INFORMATION

**NORTH AMERICA/MEXICO:**  
700 STATE STREET  
RACINE, WISCONSIN 53404

**LATIN AMERICA:**  
AV. GENERAL DAVID SARNOFF 2237  
32210 – 900 CONTAGEM – MG  
BELO HORIZONTE BRAZIL

**EUROPE/AFRICA/MIDDLE EAST:**  
18, PLACE DES NYMPHEAS  
ZI PARIS NORD 11 95915  
ROISSY CDG CEDEX FRANCE

**ASIA PACIFIC:**  
31-67 KURRAJONG ROAD  
ST. MARY'S  
NEW SOUTH WALES 2760 AUSTRALIA

NOTE: All specifications are stated in accordance with SAE Standards or Recommended Practices, where applicable.

Form No. CE 208-01-03  
Replaces Form No. - CE-208-01-99

Visit us on the Web at:  
<http://www.casece.com>  
Printed in U.S.A.

© 2003 CASE, LLC.  
All Rights Reserved.

821C/XR Page 6 of 6

