

GIANT

Team TOBROCO

Industrielaan 2, 5061 KC Oisterwijk

Tel.: +31 (0)13-5211212

Fax: +31 (0)13-5234045

Internet: www.tobroco-giant.com

E-Mail: info@tobroco.com



D263S
D332ST
D263SW
D263SW X-TRA
D332SWT
D332SWT X-TRA

WHEEL LOADERS

A flexible and compact all-rounder



D263S - D332ST - D263SW - D263SW X-TRA - D332SWT - D332SWT X-TRA



COMPACT & STRONG

TOBROCO-GIANT offers a wide range of wheel loaders in order to meet the needs and wishes of its customers as closely as possible. This brochure contains the GIANT articulated loaders, each with a net weight of 1.400 to 1.550 kg and compact size starting at 890 x 2165 mm.



GIANT

WIDE RANGE

The machines in the brochure are very universal and suitable for use by gardeners, livestock farmers, pavers, etc. Please contact a GIANT dealer for help deciding which machine best suits your use.



	D263S	D332ST	D263SW
Engine	3 cylinder Kubota D1105 26 hp / 19 kW	3 cylinder Kubota D1105-T 33 hp / 24 kW	3 cylinder Kubota D1105 26 hp / 19 kW
Drive system	Hydrostatic 4 wheel drive with automotive control. With axles and drive engines.	Hydrostatic 4 wheel drive with automotive control. With axles and drive engines.	Hydrostatic 4 wheel drive with automotive control. 4 Heavy Poclair wheel engines. Electric controlled length differential lock.
Driving speed	0 - 12 km/h	0 - 12 km/h	0 - 12 km/h
Working hydraulics	45 L/min, 180 bar	45 L/min, 180 bar	45 L/min, 180 bar
Tipping load, vehicle straight	1.040 kg	1.060 kg	1.040 kg
Lifting capacity	1.100 kg	1.100 kg	1.100 kg
Weight	1.480 kg	1.500 kg	1.480 kg
Parking brake	Drum brake / mechanical	Drum brake / mechanical	Hydraulic multi-disc brake, with electric engagement
Diesel / Oil capacity	25 L / 46 L	25 L / 46 L	25 L / 46 L
Quick change	GIANT STANDARD (Hydraulic)	GIANT STANDARD (Hydraulic)	GIANT STANDARD (Hydraulic)
Standard tyres (Vehicle width)	7x12 AS (890 mm)	7x12 AS (890 mm)	7x12 AS (890 mm)



PRO-INCHING

D263S UNTIL V6004T TELE

The engine speed is controlled using the lever and the drive speed can be conveniently controlled with the pedal. This is handy for attachments such as the mulchers or hedge trimmers.

Details subject to change.



D263SW X-TRA	D332SWT	D332SWT X-TRA
3 cylinder Kubota D1105 26 hp / 19 kW	3 cylinder Kubota D1105-T 33 hp / 24 kW	3 cylinder Kubota D1105-T 33 hp / 24 kW
Hydrostatic 4 wheel drive with automotive control. 4 Heavy Poclairn wheel engines. Electric controlled length differential lock.	Hydrostatic 4 wheel drive with automotive control. 4 Heavy Poclairn wheel engines. Electric controlled length differential lock.	Hydrostatic 4 wheel drive with automotive control. 4 Heavy Poclairn wheel engines. Electric controlled length differential lock.
0 - 12 km/h	0 - 12 km/h Optional: Higher driving speed (0-19 km/h) (HD driving mechanism not possible) or HD driving mechanism (higher driving speed not possible)	0 - 12 km/h Optional: Higher driving speed (0-19 km/h) (HD driving mechanism not possible) or HD driving mechanism (higher driving speed not possible)
45 L/min, 180 bar	45 L/min, 180 bar	45 L/min, 180 bar
1.600 kg	1.060 kg	1.663 kg
1.400 kg	1.100 kg	1.400 kg
1.525 kg	1.500 kg	1.550 kg
Hydraulic multi-disc brake, electrically activated	Hydraulic multi-disc brake, electrically activated	Hydraulic multi-disc brake, electrically activated
21 L / 46 L	25 L / 46 L	21 L / 46 L
GIANT STANDARD (Hydraulic)	GIANT STANDARD (Hydraulic)	GIANT STANDARD (Hydraulic)
26x12-12 AS (1.100 mm)	7x12 AS (890 mm)	26x12-12 AS (1.100 mm)



PATENTED STABILO SYSTEM

D263S T/M V452T X-TRA HD

Stabilises the machine and offers greater comfort and safety on uneven ground.

Details subject to change.

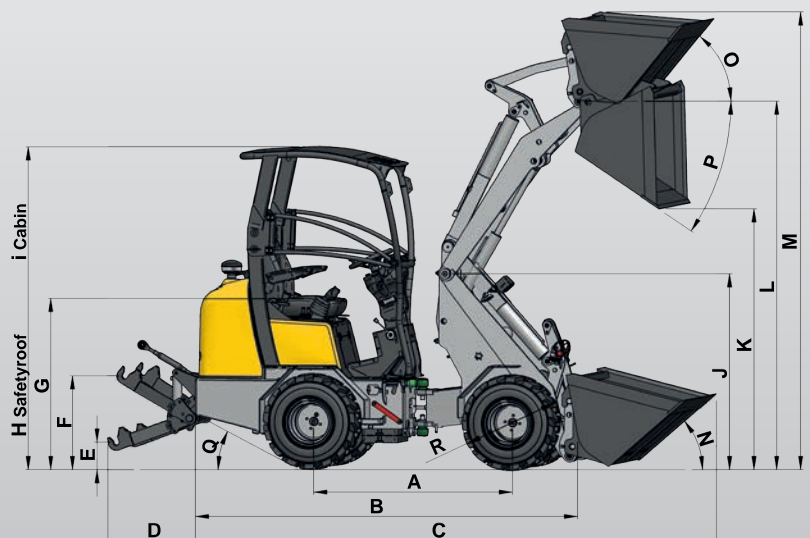
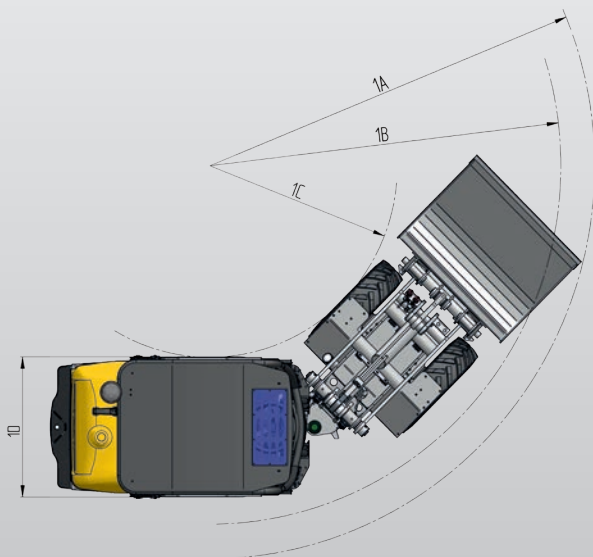
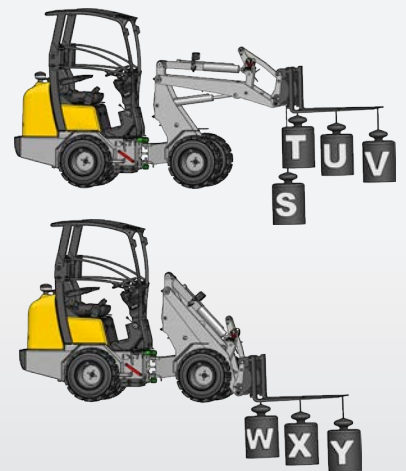
TECHNICAL SPECIFICATIONS

	D263S	D332ST	D263SW	D263SW X-TRA	D332SWT	D332SWT X-TRA
A	1.368	1.368	1.368	1.419	1.368	1.419
B	2.669	2.669	2.669	2.718	2.669	2.718
C	3.360	3.360	3.360	3.389	3.360	3.389
D	622	622	622	622	622	622
E	74	74	74	74	74	74
F	737	737	737	737	737	737
G	1.136	1.136	1.136	1.136	1.136	1.136
H	2.165	2.165	2.230	2.230	2.230	2.230
I	--	--	2.220	2.220	2.220	2.220
J	1.535	1.535	1.550	1.148	1.550	1.148
K	1.827	1.827	1.827	1.360	1.827	1.360
L	2.558	2.558	2.558	2.067	2.558	2.067
M	3.138	3.138	3.138	2.641	3.138	2.641
N	41°	41°	41°	44°	41°	44°
O	52°	52°	52°	55°	52°	55°
P	44°	44°	44°	41°	44°	41°
Q	27°	27°	27°	27°	27°	27°
R	Ø 670	Ø 670	Ø 670	Ø 670	Ø 670	Ø 670
1A	2.257	2.257	2.257	2.469	2.257	2.469
1B	1.900	1.900	1.900	2.263	1.900	2.263
1C	1.040	1.040	1.040	1.163	1.040	1.163
1D	890	890	890	1.100	890	1.100

	D263S	D332ST	D263SW	D263SW X-TRA	D332SWT	D332SWT X-TRA
S	1.040 kg	1.060 kg	1.040 kg	1.500 kg	1.060 kg	1.500 kg
T	799 kg	810 kg	799 kg	1.100 kg	810 kg	1.100 kg
U	580 kg	590 kg	580 kg	750 kg	590 kg	750 kg
V	430 kg	435 kg	430 kg	550 kg	435 kg	550 kg
W	1.376 kg	1.400 kg	1.376 kg	1.500 kg	1.400 kg	1.500 kg
X	833 kg	850 kg	833 kg	900 kg	850 kg	900 kg
Y	597 kg	615 kg	597 kg	650 kg	615 kg	650 kg

Dimensions in mm, measured on standard tyres. Tipping loads measured in straight-ahead position, with no extra counterweights. We reserve the right to make changes without notice and are not responsible for errors or omissions.

Note: All values have been measured using a GIANT rapid-replacement system. If you choose to use an alternative rapidreplacement system, other values may apply. TOBROCO-GIANT cannot be held liable for any consequences.



Details subject to change.

EXTENSIVE OPTIONS



1. ROPS/FOPS fold-away canopy



4. Many front hydraulic options



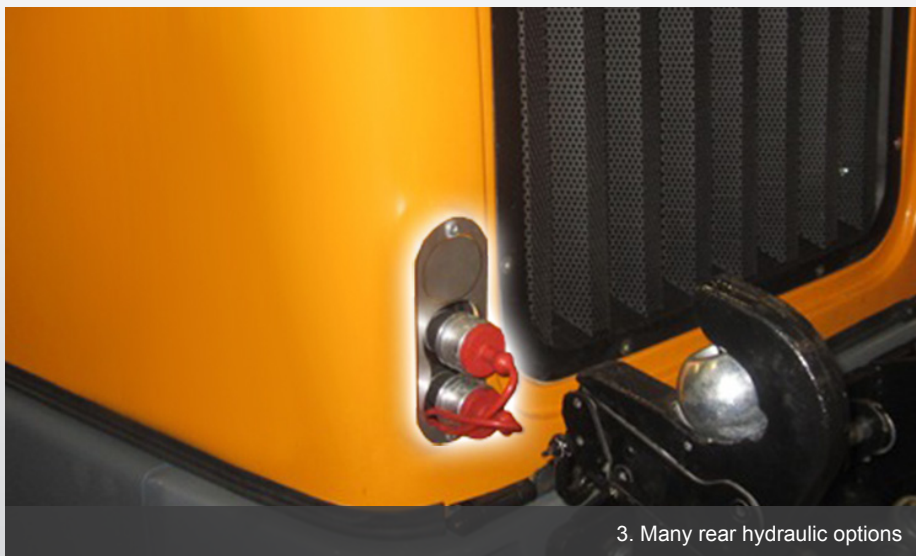
2. ROPS/FOPS Cab



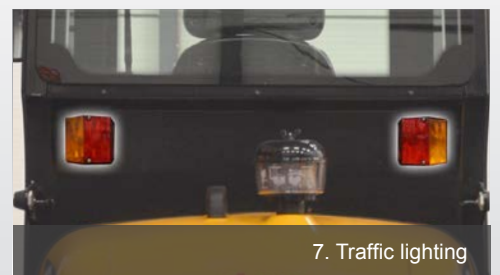
5. Tow hook



6. Mudguard side extensions



3. Many rear hydraulic options



7. Traffic lighting



8. Filter kit

1. Fold-away safety canopy optional (34 cm lower) from D263S.
2. ROPS/FOPS cabs optional for SW, SW X-TRA, SWT, SWT X-TRA.
- 3 & 4. Many front and rear hydraulic options available.
5. Combi tow hooks with and without counterweight available as option.
6. Mudguard side extensions optional from D204SW.
7. Traffic lighting front and rear optional.
8. Keep your GIANT in top condition with original GIANT parts.



WWW.GIANT-ATTACHMENTS.COM

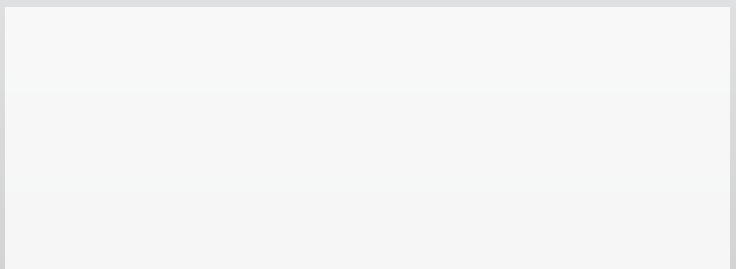


WWW.TOBROCO-GIANT.COM



TOBROCO-GIANT

Industrielaan 2,
5061 KC Oisterwijk (Netherlands)
Tel.: +31 (0)13-5211212
Fax: +31 (0)13-5234045
Internet: www.tobroco-giant.com
E-Mail: info@tobroco.com



All technical data in this brochure refer to production models tested under Central European operating conditions and describe their standard functions. The designs and their methods of operation, as well as the accessories, depend on the relevant model and on the options available for this product, as well as country-specific regulations valid in the country of sale. Illustrations may display products, which are not listed or not available as standard. The descriptions, illustrations, weight data and technical data are non-binding and are in accordance with the most up-to-date standards at the time of going to press. Modifications relating to the structure, design, visual and technical features are subject to change without prior notification due to continuous developments of products. If you require special functions, which are only available by using supplementary components, and/or have particular constraints, then please contact us! We will be pleased to answer your questions and let you know whether and under what conditions special functions can be implemented in terms of the product and the environmental conditions. In case of any doubt concerning the loading capacity or the functionality of our products based upon special circumstances, we recommend that test operations are performed under safe limiting conditions. In spite of the greatest possible care taken, we are not able to exclude the possibility of variations in illustrations or dimensions, calculation errors, printing errors or omissions in this brochure. For this reason we do not accept any liability for the propriety and completeness of our information in this brochure. Within the framework of our General Commercial Terms and Conditions, we guarantee that our products operate properly. We do not, in principle, provide guarantees beyond these general terms and conditions. Liability beyond these general terms and conditions as set out in our General Commercial Terms and Conditions is therefore excluded.