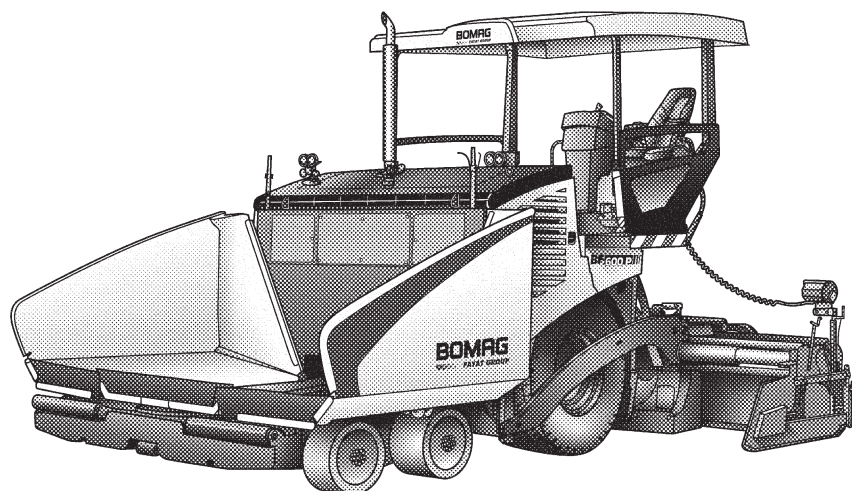




**PAVER
BF 600 P**

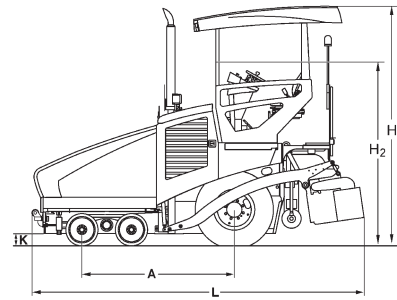
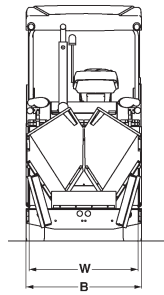
PERFORMANCE DATA



Technical Data

Shipping dimensions in m³

BF 600 P (HC)	41,969
BF 600 P (HS)	43,423



Standard equipment

- 4 cylinders, 120 kW engine
- Driver's seat and platform can be shifted to the sides, SideView System®
- L.C.S.® screed relief and traction increase system
- Individual control of hopper wings
- Load sensing material flow system
- 2 independent and reversible scraper belts, highly wear resistant plates
- 2 proportionally controlled and reversible augers made of low-wear casting, auger wings individually exchangeable
- Cleaning system with 8 m hose reel, pump and tank
- Hydraulic crown setting (HS screed)
- Tamper setting (0-1740 rpm) and vibration setting (1200-3500 rpm)
- Fully automatic screed heating and functional monitoring
- Central lubrication for HSG and HSE screeds
- 17.5R25 rear wheel tyres, additional ballast, 2 working speed ranges, 2 travel speed ranges
- 4 Roof spotlight
- 2 Screed spotlight
- 2 Front spotlight
- ECOMODE
- Rotary speed reset

Optional equipment

- Screed extensions for HS screed 250/750
- Screed extensions for HC screed 350/700
- Levelling systems: Height and lateral sensing with ultrasonic or mechanical sensors
- Heatable side plates for HCE and HSE electric screeds
- Reduction pads
- Hydraulic auger height adjustment
- 4 % crown for HSE, HSG-screed
- Autom. lubrication system for screed and auger

Dimensions in mm

	A	B	H	H ₂	L	W
BF 600 P (HC)	2545	2550	3635	2850	5775	2500
BF 600 P (HS)	2545	2550	3635	2850	5975	2550

Technical Data

Weights

Operating weight CECE kg

Dimensions

Transport length mm
 Transport width mm
 Transport height mm
 Inner track radius mm
 Outer track radius mm

Travel characteristics

Travel speed (1) km/h
 Travel speed (2) km/h
 Working speed (1) m/min
 Working speed (2) m/min

Drive

Engine manufacturer
 Type
 Cooling
 Number of cylinders
 Rated power ISO 3046 kW
 Rated speed min-1

Crawler assembly

Rear tyres
 -Number
 -Type
 Front tyres
 -Number
 -Diameter mm
 -Width mm

Hoppe

Capacity m³
 Width (wings open) mm
 Width (wings closed) mm
 Length mm
 Filling height (middle) mm

Scraper belt / auger

Quantity
 Width mm
 Rated speed U/min
 Individual control
 Reversing operation

Conveyor auger

->Number
 ->Auger diameter mm
 ->Rotary speed U/min
 ->Reversing operation

Screed

Screed type
 Basic width retracted mm
 Basic width extended mm
 Max. working width mm
 min. width with reducing skids mm
 Mat height mm
 Smoothing plate depth mm
 Smoothing plate thickness mm
 Heating
 Crown %
 Tamper frequency Hz
 Vibration frequency Hz
 Basic weight kg

Filling capacities

Fuel l
 Hydraulic oil l

Operating/control elements

Number of driver's seats
 SideView
 LCS System

BOMAG BF 600 P HCE

16500

5850
2550
2850
3200
5100

0-5
0-15
0-14
0-43

DEUTZ
TCD 2013 L04
Water
4
120
2300

2
17.5 R25
4
500
280

7,1
3200
2500
1920
560

2
440
180
Standard
Standard

2
350
75
Standard

HCE
2500
4750
6850
1800
300
400
12
Electric
-2,5 ... +4,5
0-29
20-58
3300

215
160

1
Standard
Standard

BOMAG BF 600 P HSE

17600

6200
2550
2850
3200
5100

0-5
0-15
0-14
0-43

DEUTZ
TCD 2013 L04
Water
4
120
2300

2
17.5 R25
4
500
280

7,1
3200
2500
1920
560

2
440
180
Standard
Standard

2
350
75
Standard

HSE
2550
5000
6500
1800
300
400
15
Electric
-2,5 ... +2,1
0-29
20-58
4200

215
160

1
Standard
Standard

Technical modifications reserved. Machines may be shown with options.

BOMAG
 Hellerwald
 D-56154 Boppard
 Postfach 5162
 D-56149 Boppard
 Tel. (0)6742 - 1000
 Fax (0)6742 - 3090

