

# Popular Slimline Crane

## G20 Pick & Carry Crane [2.0t x 0.5m]

The slimline G20 pick and carry crane offers two tonnes of lifting power without the need for outriggers.

A practical alternative to a fork lift, this pedestrian operated compact crane comes with a 5.3m maximum lifting height and can quickly pick, carry and place loads thanks to its 180° rear drive.

Optional extras include radio remote control, low marking tyres, 150kg capacity searcher hook, electromagnetic front brakes and full winch system.

### Reference Code

**MCG20**



Optional searcher hook (Capacity: 150kg)

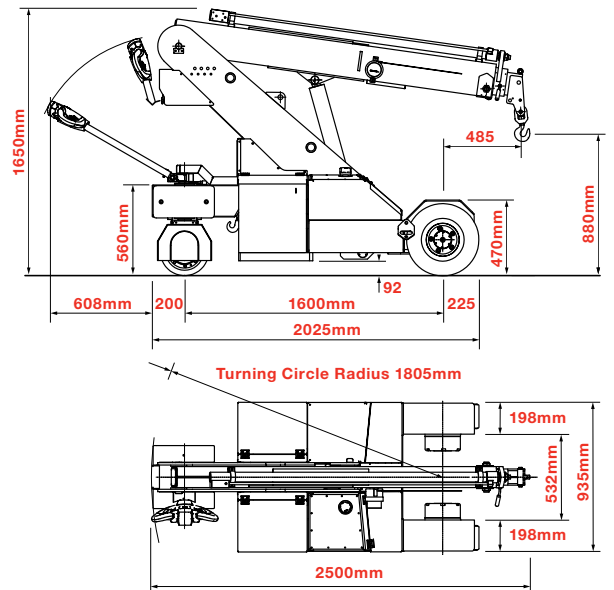


Optional electromagnetic brakes

### Technical Specifications

<b>Capacity</b>	2.0t x 0.5m
<b>Maximum working radius</b>	3.5m (4.7m with searcher hook)
<b>Maximum lifting height</b>	5.3m (6.32m with searcher hook)
<b>Dimensions</b>	2500mm (l) x 935mm (w) x 1650mm (h)
<b>Weight</b>	2000kg
<b>Boom length</b>	2.15 - 5.15m
<b>Boom type</b>	3 section box boom (1+2 hydraulic, 3 manual)
<b>Derricking angle</b>	-6° to 50°
<b>Steering</b>	rear 180°
<b>Tyres</b>	1 solid rear, 2 solid front
<b>Power source</b>	24v rechargeable battery
<b>Battery charger</b>	110v
<b>Travel speed</b>	3km/h
<b>Gradeability</b>	±9° (without load)
<b>Standard equipment</b>	Digital safe load indicator, audio-visual overload alarm, reversing alarm, overload warning lamps, work lamp
<b>Optional equipment</b>	Low marking tyres, full winch system (1650kg), radio remote control, electromagnetic front brakes, 150kg searcher hook, 800kg rhino hook

### Technical Data (approx. mm)



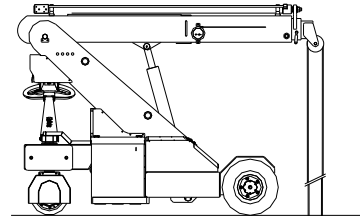
Optional radio remote



Optional winch system  
(Capacity: 1650kg)



G20 Hook Falls



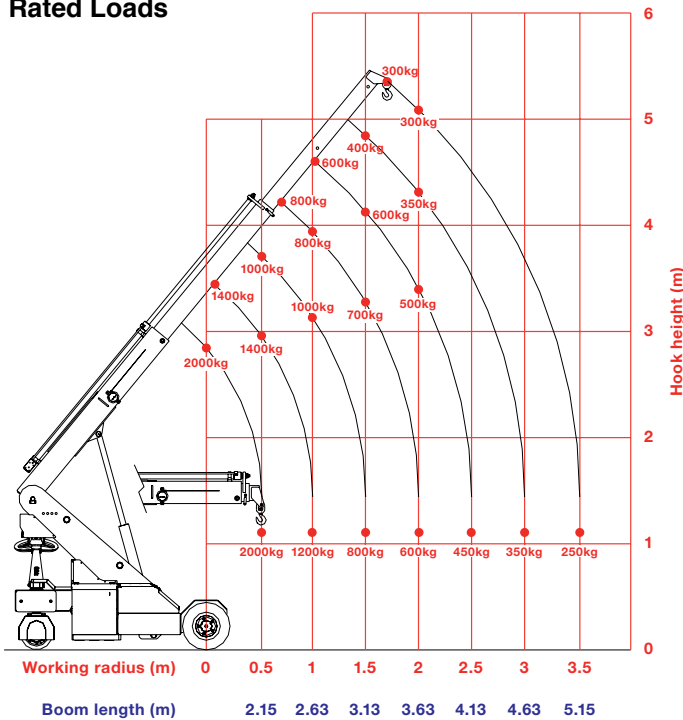
4 Fall  
11m  
1650kg max

3 Fall  
14.5m  
1350kg max

2 Fall  
22m  
900kg max

1 Fall  
43m  
400kg max

Rated Loads



Searcher Hook Rated Loads  
For G20 & GK20

