

# C-SERIES C3500 - C5000

Multi-directional forklift  
designed for the safe, space  
saving and productive handling  
of long and bulky loads.

# COMBiLiFT

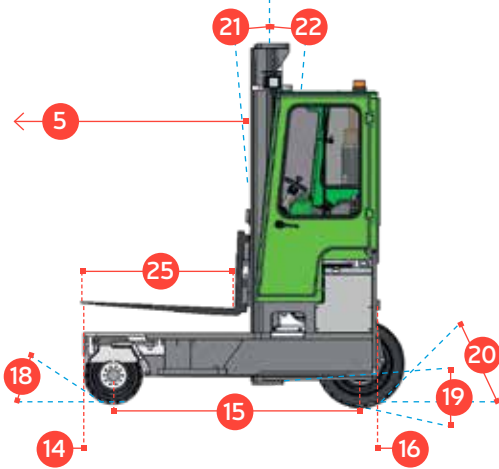
LIFTING INNOVATION



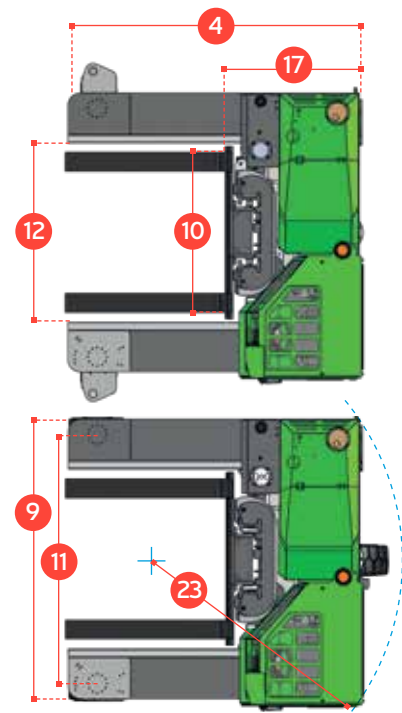
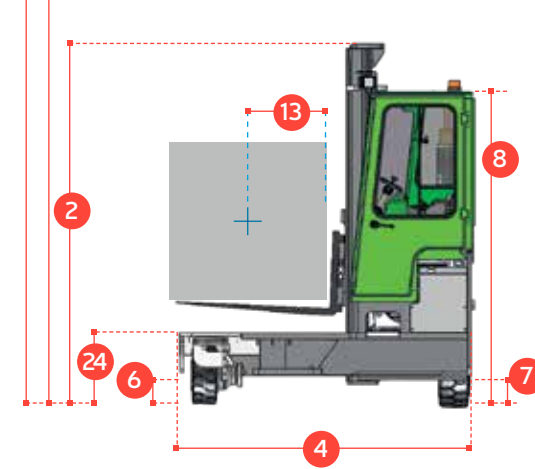
# C-SERIES

## C3500 - C5000

### FRONTAL MODE



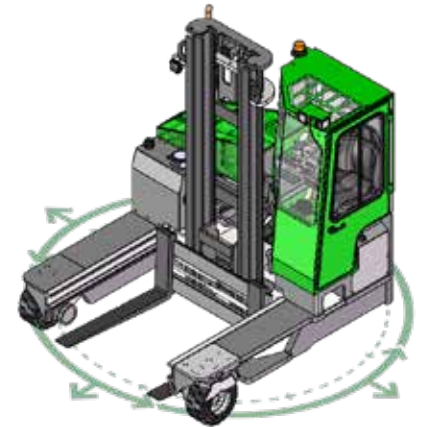
### SI DEWARD MODE



| REF. | DESCRIPTION                             | C3500  | C4000   | C5000  |
|------|---|--------|---------|--------|
| 1a   | Max. Lift Height                        |        | 4040mm  |        |
| 1b   | Freelift Height                         |        | 0mm     |        |
| 2    | Height Mast Closed                      |        | 2855mm  |        |
| 3    | Max. Mast raised                        |        | 4870mm  |        |
| 4    | Overall Length                          | 1950mm | 2300mm  | 2500mm |
| 5    | Mast Travel                             | 950mm  | 1300mm  | 1400mm |
| 6    | Ground Clearance Under Mast             |        | 150mm   |        |
| 7    | Ground Clearance to Centre of Wheelbase |        | 200mm   |        |
| 8    | Height Over Cab (Without work lights)   |        | 2435mm  |        |
| 9    | Width                                   |        | 2190mm  |        |
| 10   | Outside Spread of Fork Arms             |        | 1350mm  |        |
| 11   | Track Front                             |        | 1980mm  |        |
| 12   | Frame Opening                           |        | 1400mm  |        |
| 13   | Load Centre Distance                    |        | 600mm   |        |
| 14   | Overhang Front                          |        | 245mm   |        |
| 15   | Wheelbase                               | 1565mm | 1915 mm | 2115mm |
| 16   | Overhang Back                           |        | 140mm   |        |
| 17   | Length From Face of Fork                | 1100mm | 1100mm  | 1150mm |
| 18   | Approach Angle                          |        | 45°     |        |
| 19   | Ramp Angle                              |        | 29°     |        |
| 20   | Departure Angle                         |        | 45°     |        |
| 21   | Forward Tilt                            |        | 3°      |        |
| 22   | Backward Tilt                           |        | 5°      |        |
| 23   | Minimum Outside Radius                  | 2000mm | 2325mm  | 2490mm |
| 24   | Platform Height                         |        | 545mm   |        |
| 25   | Platform Length                         | 850mm  | 1200mm  | 1350mm |

|   |                                      |         |                        |         |
|---|--------------------------------------|---------|------------------------|---------|
| A | Capacity                             | 3500 kg | 4000 kg                | 5000 kg |
| B | Unladen Weight                       | 6050 kg | 6300 kg                | 6800 kg |
| C | Maximum Ground Speed                 |         | 15 km/h                |         |
| D | Gradeability                         |         | 15%                    |         |
| E | Kubota V2403 T Diesel / 3 ltr GM LPG |         | 44 kW / 48 kW          |         |
| F | Electrics                            |         | 12 Volt                |         |
| G | Fork Section 150mm x 50mm x          | 850mm   | 1200mm                 | 1350mm  |
| H | 200 / 50 x 10 Front Tyre             |         | OD450mm / Width 200 mm |         |
| I | 27 x 10 - 12 Rear Tyre               |         | OD680mm / Width 255mm  |         |
| J | Standard Colour                      |         | Green and Grey         |         |
| K | Suspension Seat                      |         | KAB Model 116          |         |

### Multi-Directional



### Features Include:

- Rubber Mounted Cabin
- Multi-Directional Operation
- 3 Wheel Hydrostatic Drive
- Load Sensing Steering
- 4 Way Lever Positioning of Wheels
- Hydraulic Oil Cooler

### Distributed by:

European Patent No. 2167416; Brazilian Patent No. P10811954-6; Australian Patent No. 2008253242

COMBILIFT HAS A POLICY OF CONTINUOUS PRODUCT DEVELOPMENT AND RESERVES THE RIGHT TO ALTER SPECIFICATIONS WITHOUT PRIOR NOTICE. SPECIFICATIONS AND/OR DIMENSIONS MAY VARY FROM THOSE ILLUSTRATED IN SOME COUNTRIES.